

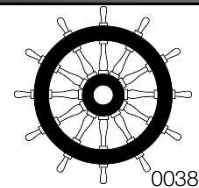
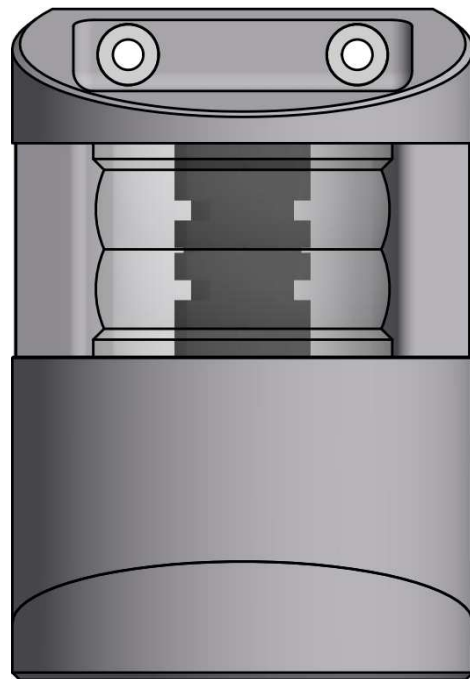
300-039 – 5NM 225° WHITE DOUBLE MASTHEAD LIGHT

The double LED light consists of two (2) individual lights which can be activated separately. One is dedicated as the primary, the other the secondary.

The precision machined 6082 aluminium housing with a hard coated anodized surface makes the light a rugged and durable housing for the LEDs and electronics contained within, and the polished PMMA lens delivers a clear light with colour ranging that is well within the standard for maritime use.

Lastly all the interior is completely filled with a special potting resin making it water- and vibration proof before each light is subjected to final testing for no less than 16 hours of continuous operation bringing the total test period beyond 24 hours.

Lopolight products are covered by a 5-year limited warranty. This warranty covers direct exchange of the malfunctioning product and is given under the assumption that the lights have been operated within the specifications of lights.



Technical specifications

Vessel size: 20m - 50m (65' - 164')

Visibility: >5 nautical miles

Intensity: >52 cd

Mounting: **Vertical**

Operating voltage: 22 - 32 V DC

Number of LEDs: 3

Light colour: **White**

Operating temperature: -25°C to +55°C

IP Rating: **IP68**

Power consumption; 7 Watt; Current @ 24 VDC: 0,3A

Connection: 2 cables consisting of 2 x 0,5 mm² leads, a screen and insulation.

- Red lead = Power
- Black lead = GND

Certification: The product is certified by Lloyds (LR) and certificates can be found on www.lopolight.com under certificates.

Approvals: COLREG72 / EN14744 / IEC 60945 / USCG / UL1104

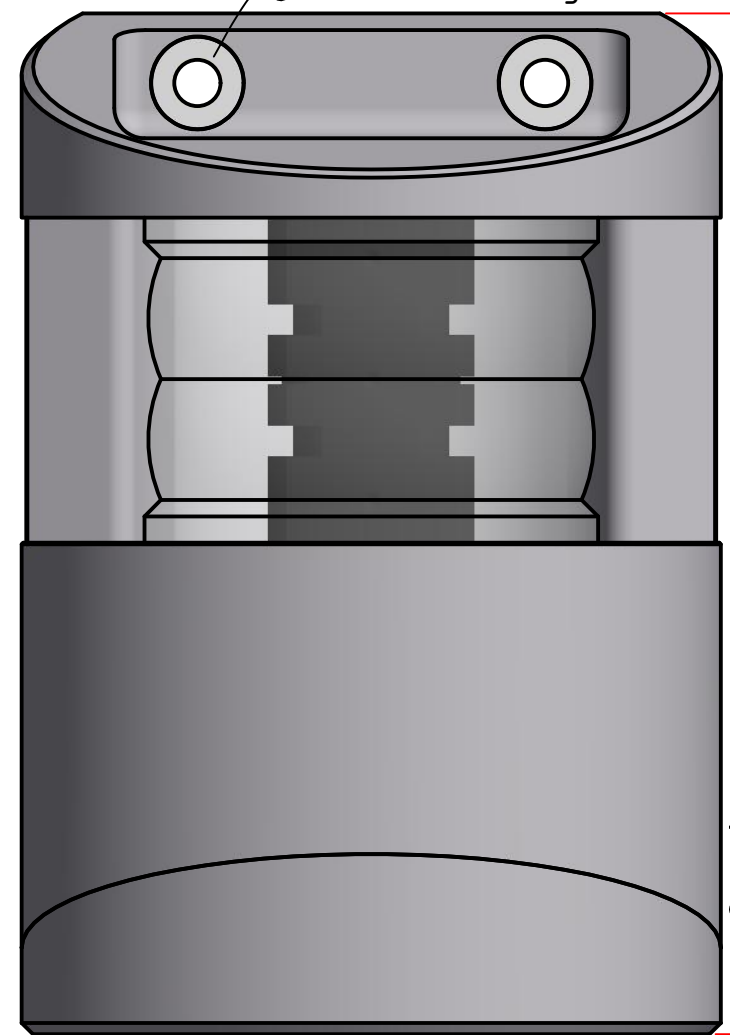
Dimensions: **See drawing**

Weight: 1,35kg

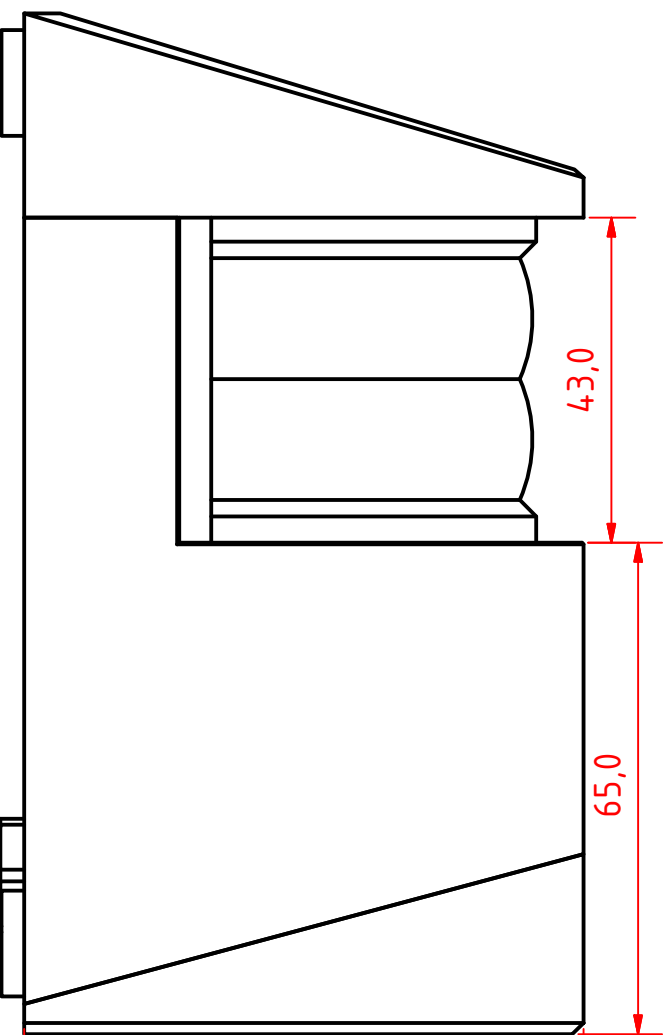
Included in the package:

- 1 Navigation light, pre-cabled with 1,5m marine grade cables
- Installation instructions

Nylon Insulators for 4 pcs. 6mm
DIN 912 mounting Screws



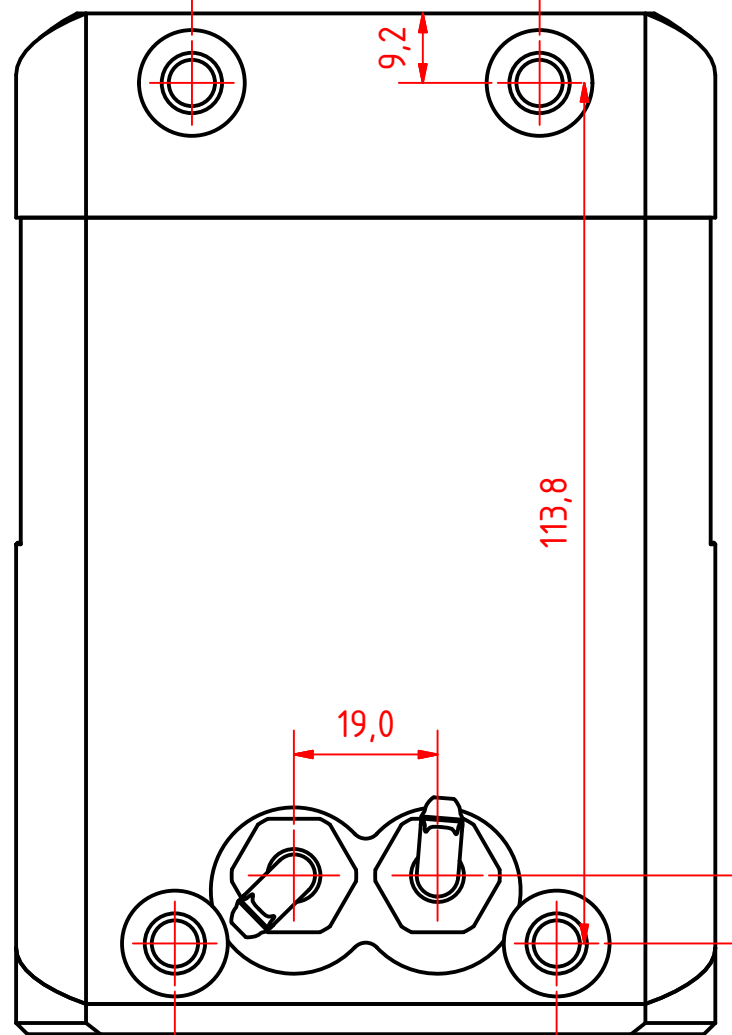
135,0



43,0

65,0

74,0



46,0

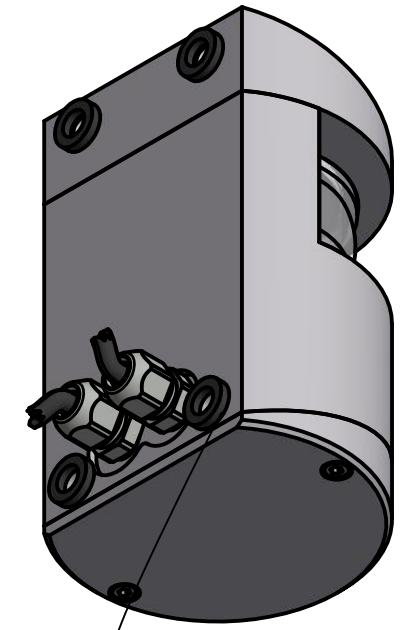
9,2

113,8

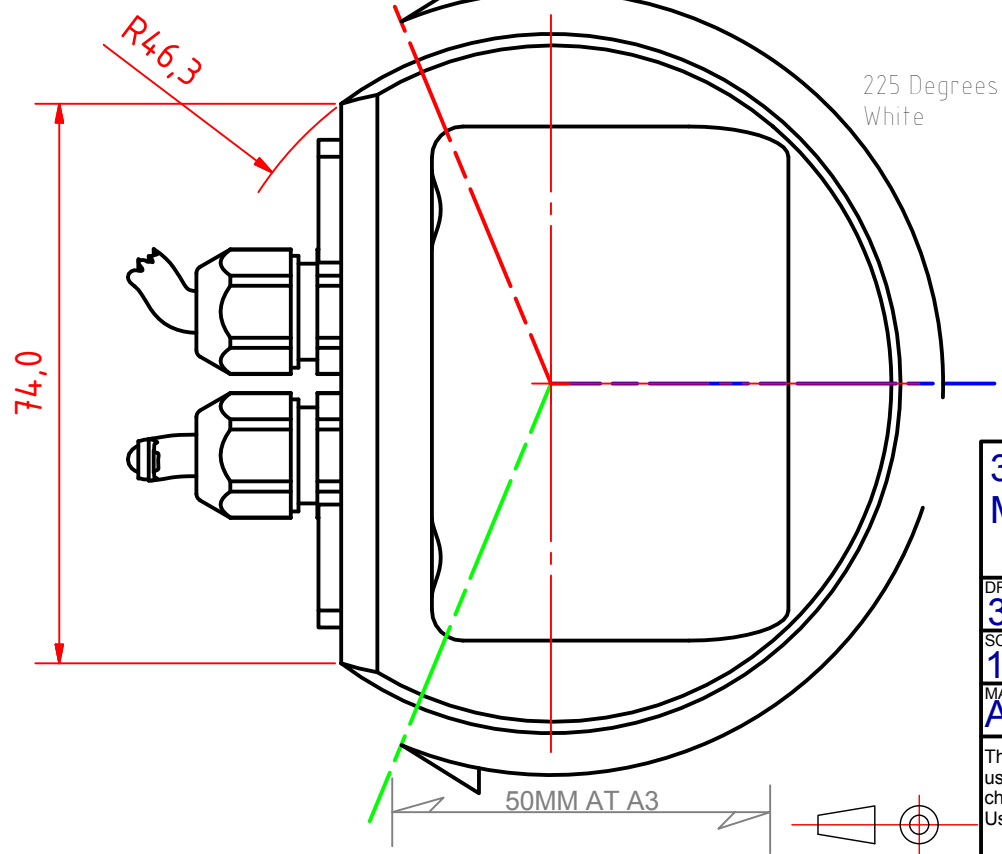
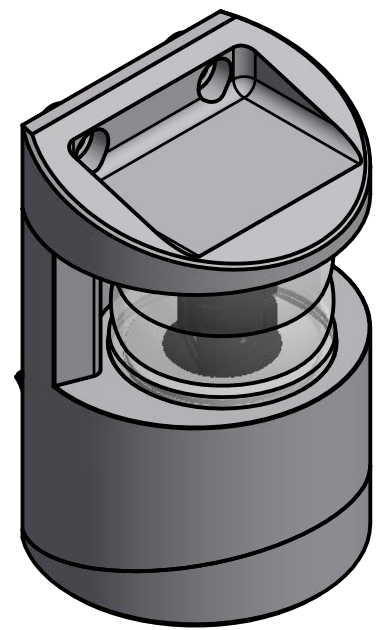
19,0

50,5

9,0



Rubber insulator rings keep the lantern isolated from the superstructure.



R46,3

74,0

225 Degrees
White

50MM AT A3

- For a Cable Down Version of this Lantern please refer to Drawing No. 300-039CD
- Surfaced with 50 microns of "Graphite" coloured anodizing.

300-039 5nm Masthead Double, Vertical Mount

DRAWING NO.:	REV. NO.:	SIZE:	DRAWN BY:
300-039AA	0	A3	Paul
SCALE:	TOLERANCES:	REVIEWED BY:	
1:1	DS/ISO 2768-f	JM, PHH	

MATERIAL DESCRIPTION:
Aluminium & Acrylic

This Drawing, and the information within, is the property of Lopolight ApS and may not be used in any form without express permission there from. Lopolight reserves the right to change this drawing and assumes no liability for the information communicated herein. Use of dimensions and other information in this drawing is at the users own risk.



Lopolight ApS
Ved Klaedebo 12
DK-2970, Hoersholm
Denmark

Tel:(+45) 32 48 50 30 Fax:(+45) 32 48 50 32
info@lopolight.com

www.lopolight.com